

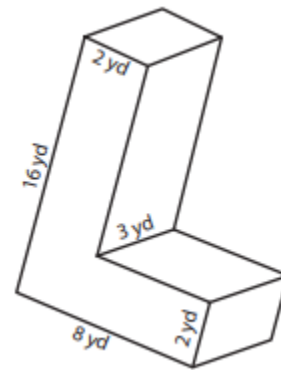
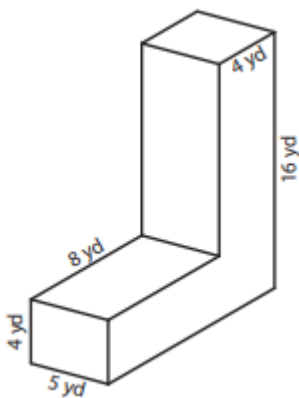
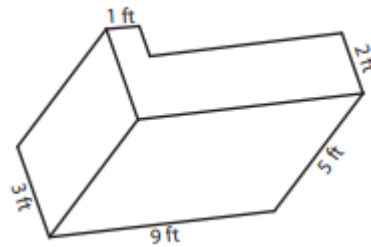
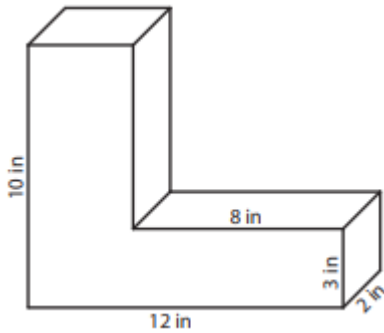


# Volume Assignment

The goal of this assignment is to give you practice finding the volume of 3-dimensional shapes. As we design, print, sketch, and build your block people, it's worth taking some time to remember how volume is calculated!

You are welcome to complete this assignment in your engineering notebook  
OR on a printed copy of this paper

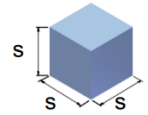
1. For each solid below, find the volume. Remember that you can *dissect* or *divide* complex shapes into simpler shapes to make your calculations easier.



## Solid Geometry

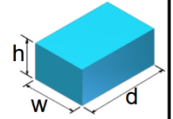
### Cube

Volume =  $s^3$   
Surface Area =  $6s^2$



### Rectangular Prism

Volume =  $wdh$   
Surface Area =  $2(wd + wh + dh)$



Useful Geometry Formulas

